



MIXING VALVE USER MANUAL

G1/2

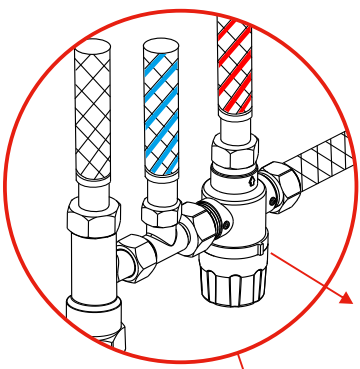
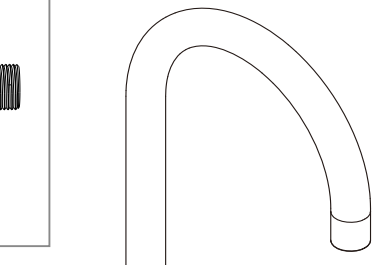
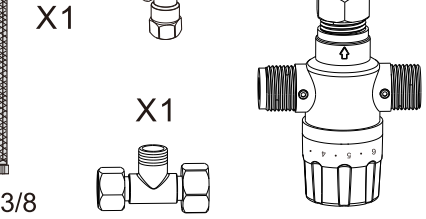
X1

X1

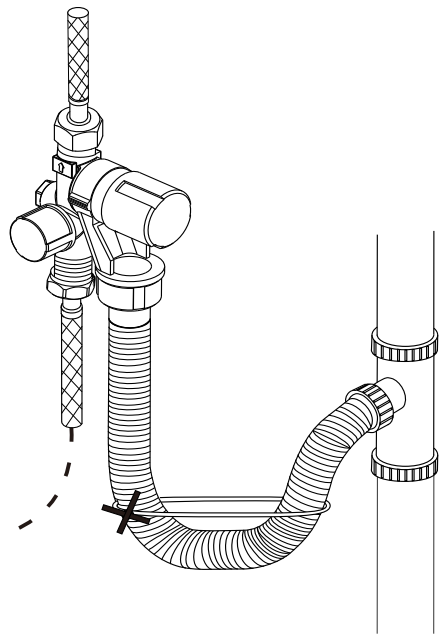
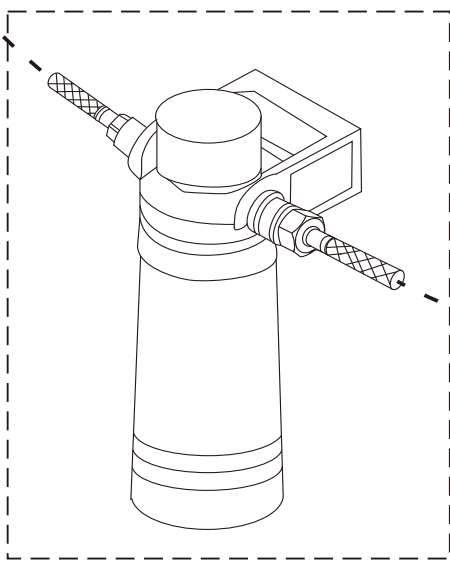
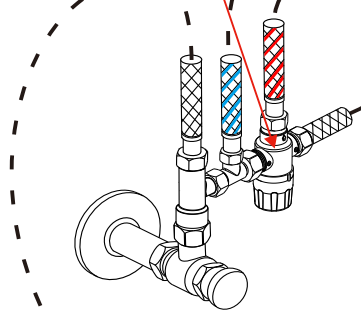
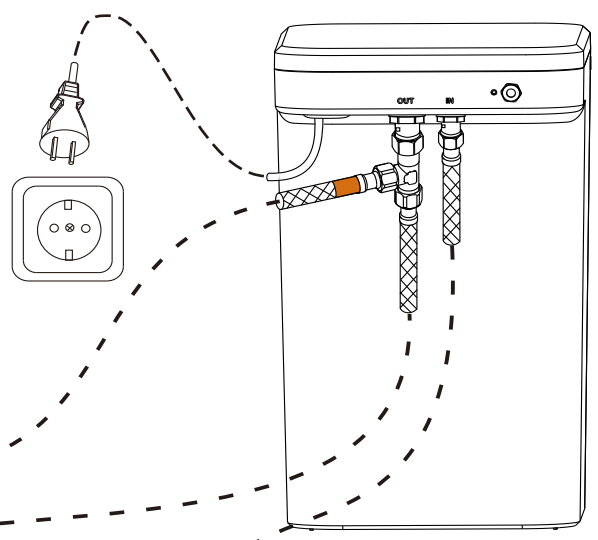
X1

G3/8

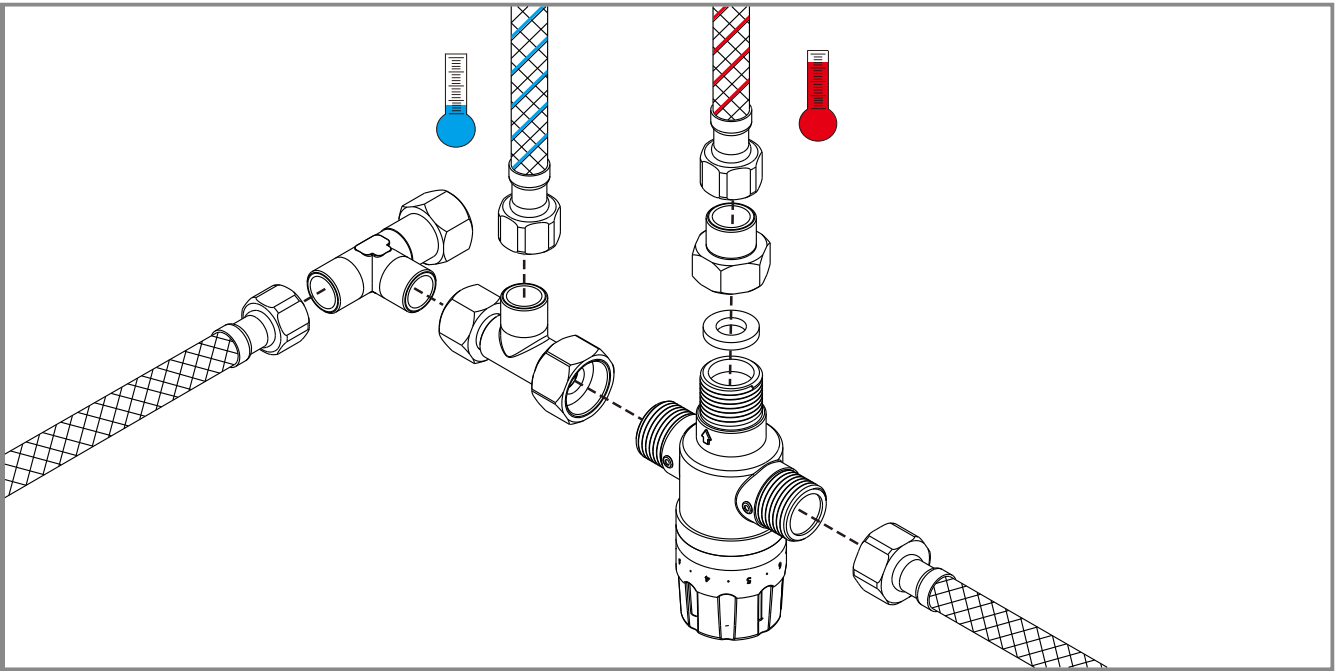
X1



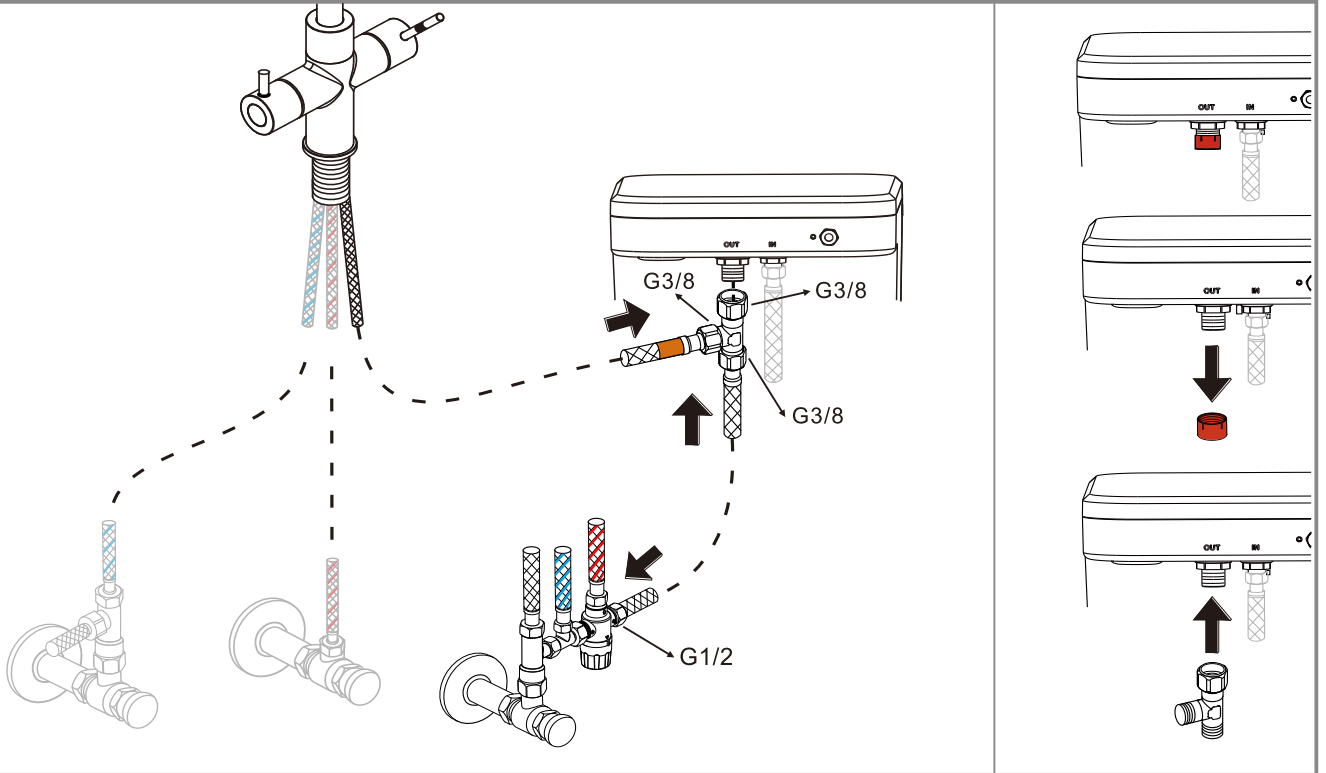
Mixer



1

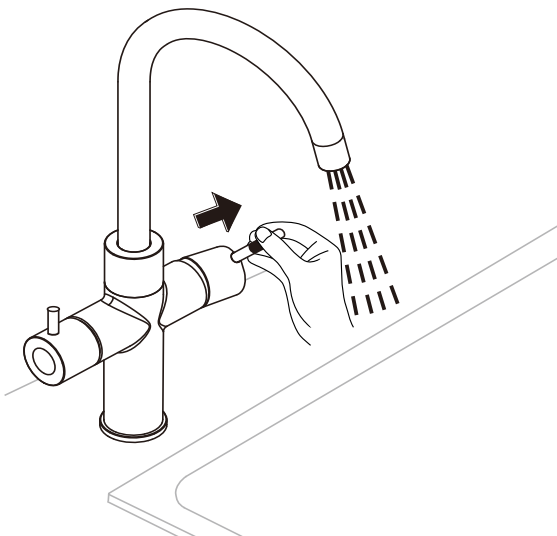


2



3

A.



B.

