



User Manual

Cooker Hood

SJ 4561-90 HV Nexon

CONTENT

INTRODUCTION.....3

SAFETY PRECAUTION.....3-4

INSTALLATION STEPS.....5-7

PREPARE FOR INSTALLATION.....5-7

INSTALLATION(VENTOUTSIDE).....8

INSTALLATION(VENTINSIDE).....8

OPERATION.....9

MAINTENANCE.....10

TROUBLESHOOTING.....11

ENVIRONMENTALPROTECTION.....11

INTRODUCTION

Thank you for choosing this cooker hood.

This instruction manual is designed to provide you with all required instructions related to the installation, use and maintenance of the appliance. In order to operate the unit correctly and safely, please read this instruction manual carefully before installation and usage.

SAFETY PRECAUTION

- This product may only be used by children over 8 years old and persons without physical, sensory or mental impairments or lacking experience and knowledge if they are supervised or have been instructed on the safe use of the product.
- Children should be supervised to ensure that they must not play with the appliance.
- The product is intended for household use.
- Hoods are designed for domestic use in conventional cooking. Using the hood for other purposes may void the warranty.
- Provide the room with an adequate aeration when a cooker hood and appliances fed by energy other than electric power (gas, oil, or coal stoves, etc.) are used simultaneously.
- Unauthorized installation may result in poor performance, product damage, or accidents.
- Do not connect the product to the power supply before installation is completed.
- Before carrying out any cleaning or maintaining operations, the appliance needs to be removed from the electric grid.
- The air must not be discharged into a flue that is used for exhausting fumes from appliances burning gas or other fuels; Regulations concerning the discharge of air have to be fulfilled.
- The cooker hood and its filter should be clean regularly in order to keep in good working condition.
- Clean the cooker hood according to the instruction manual and

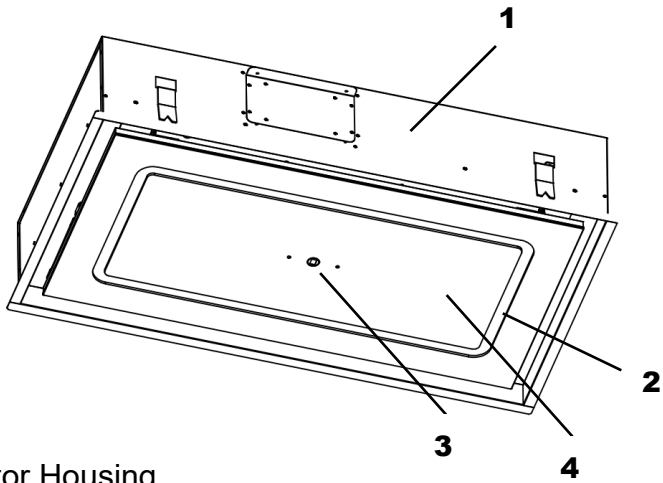
keep the unit from danger of burning. There is a fire risk if cleaning is not carried out in accordance with the instructions.

- Forbid the direct baking from the gas cooker.
- If the supply cord is damaged, it must be replaced by the manufacturer, its service agent or similarly qualified persons in order to avoid a hazard.
- Cleaning and user maintenance shall not be made by children without supervision.
- Do not operate the product without a grease filter. Do not remove filters while the product is operating.
- The product's cable must not be pinched or bent during installation. The power cord must not be routed near stoves. This may cause melting and fire.
- The cooker hood can get very hot during cooking due to heat rising from the hob.
- Keep packaging materials away from children as they may be hazardous.
- Use an exhaust duct with maximum diameter compatible with the hood/motor. If the duct diameter is smaller than the product's inlet/outlet, performance will be reduced and noise will increase. The exhaust duct should be as short as possible and have as few bends as possible.
- Different materials require different wall plugs and screws. Use wall plugs and screws suitable for the type of material where the hood will be mounted.

Electrical Shock Hazard

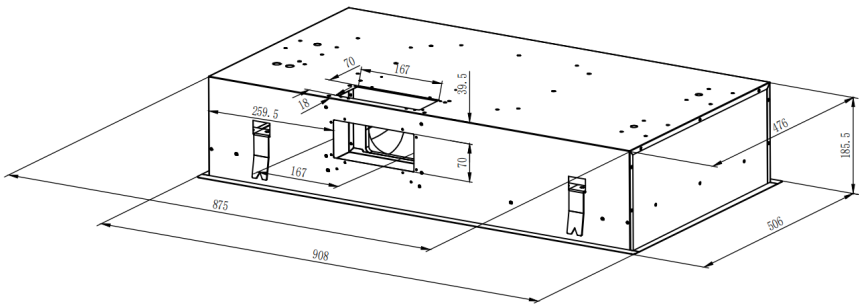
- Only plug this unit into a properly earthed outlet. If in doubt seek advice from a suitably qualified engineer.
- Failure to follow these instructions can result in death, fire, or electrical shock.

Overview of the Product:

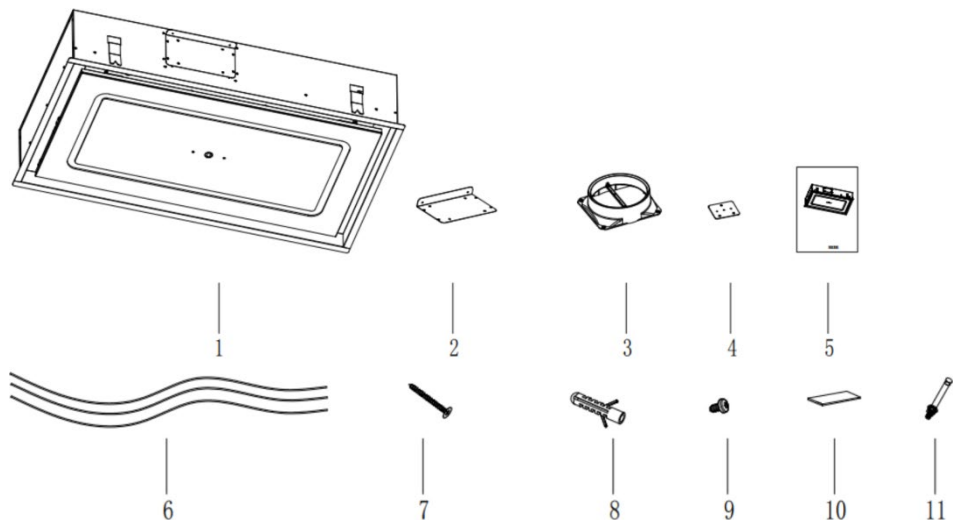


- 1. Motor Housing
- 2. Lighting
- 3. Control display
- 4. Glass

Technical Drawing:



Accessory List:



Item	Description	Qty
1	Cooker hood	1
2	Wind Shield Plate	1
3	φ150 air outlet adaptor	1
4	Safety support	3
5	User manual	1
6	Installation Wire Rope	3
7	φ6*40 Screws	9
8	φ8 Wall plug	9
9	φ4*8 Screws	12
10	Remote Control	1
11	M6 Screws	9

PREPARE FOR INSTALLATION:

THE PRODUCT MUST NOT BE INSTALLED IN A SEALED CEILING. ACCESS TO THE UNIT FROM ABOVE MUST BE PROVIDED FOR SERVICE PURPOSES. OTHERWISE, THE CUSTOMER WILL BE REQUIRED TO REMOVE THE HOOD FOR SERVICE.

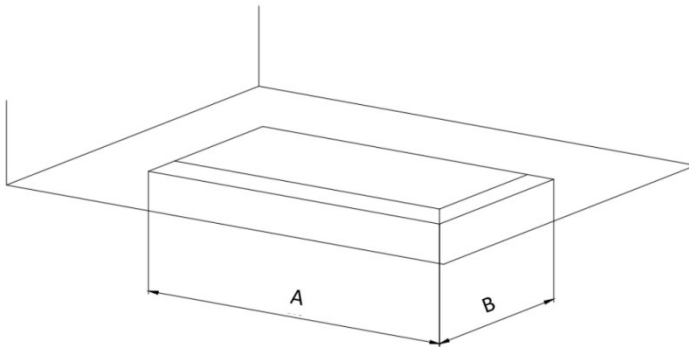


Caution!

- Ensure the durability of the mounting surface even after cutting and drilling work is completed.
- For thin panels, load-bearing capacity and durability must be ensured using appropriate support elements. Consider the unit's weight, including any additional loads. The reinforcement material used must be resistant to heat and moisture. The unit's weight is indicated on the label of the packaging.
- Remove any chips after cutting/drilling. Seal all cut edges with heat-resistant and waterproof sealing.
- Parts inside the unit may have sharp edges. Use protective gloves.

1. Fit a false ceiling with an opening of 885 x 486mm with a minimum distance of 250mm between the ceiling and the false ceiling.

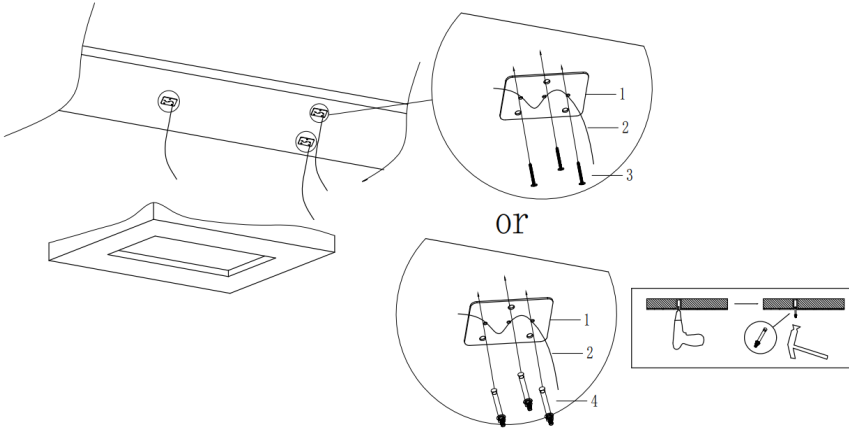
A= 885mm / B=486mm



It is possible to select the side of the hood where the extracted air can be discharged.

After choosing the most suitable position, prepare the ducting. An air outlet connection piece, with a diameter of 150mm is provided with the appliance (Item 3 in page 6). Install the connection piece to the selected side. Leave any unused exhaust outlets closed.

2. Feed the steel wire through the hanging plate as shown in the figure below.

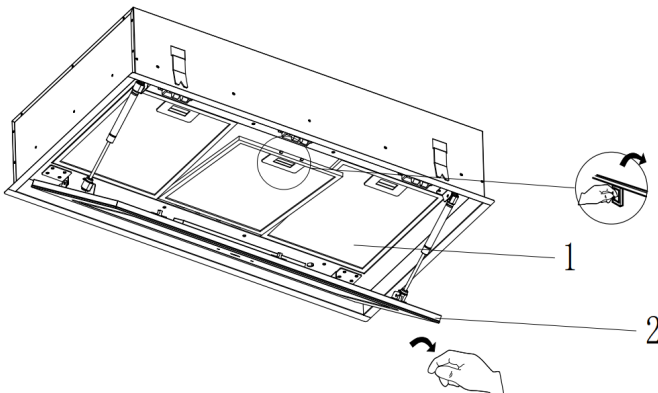


Mounting Plate for Steel Wire with screws 9pcd $\phi 6 \times 40$ Screws(Wooden ceiling)
Or 9pcs wall plugs and M6 Screws(Solid ceiling).

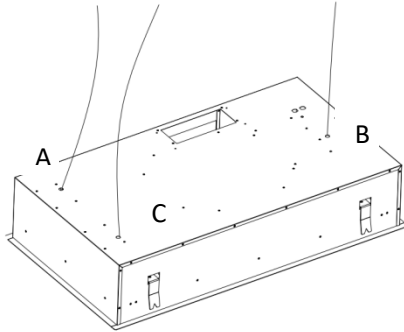
! Caution !

The surface on which the hanging bracket will be installed must be strong enough to support the product. Please refer to the package label for product weight information. Improper mounting on a weak surface may cause the product to fall during suspension and result in injury. We cannot be held liable for such damage.

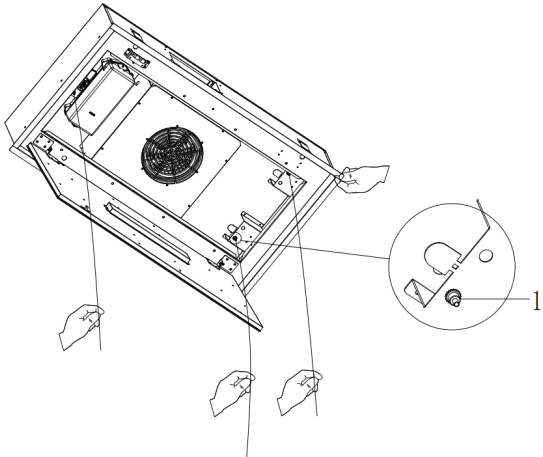
3. Before installing the product, open the lamp plate and remove the grease filter as below:



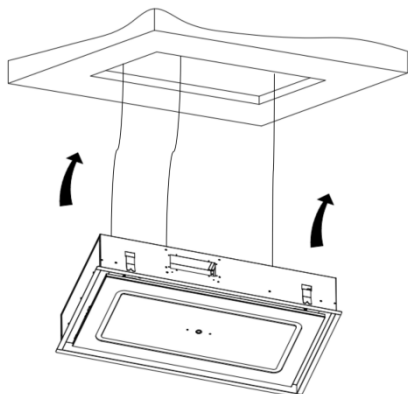
4. Feed the 3 steel wires into points A, B, C on the lower panel group of the product, where you will find wire locks. Insert the wire into the lock and repeat this process for all 3 wires.



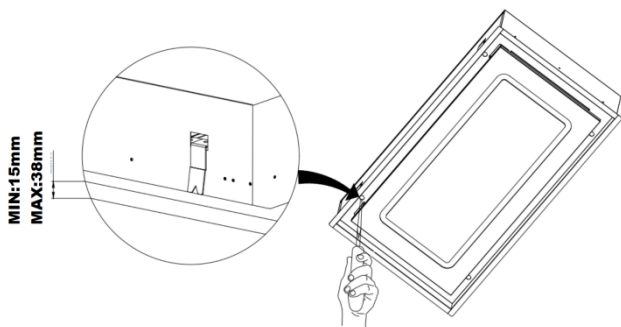
5. Hold the wire and pull it downward to lift the product. Perform this process for all 3 wires at equal intervals.



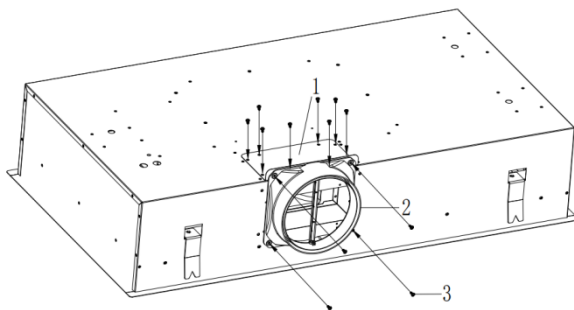
6. Slide the product onto the mounting surface. Ensure that all 3 hanging brackets support the product.



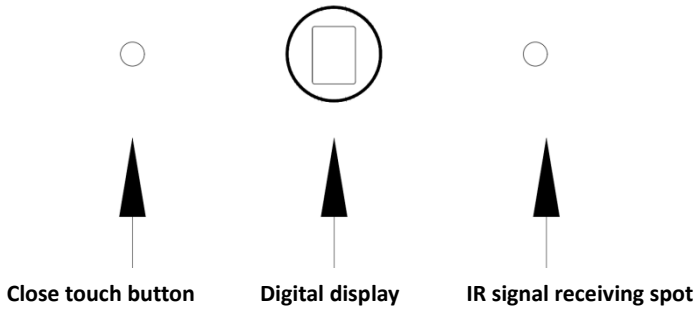
7. After installing the cooker hood into the ceiling, use a screwdriver to align with the four screw holes on the panel and turn the screws on the mounting plate clockwise until the cooker hood is flush with the ceiling.



8. When using the side outlet (the same method applies to the top outlet), secure the wind deflector to the top outlet with 8pcs 4×8 screws, and attach the $\phi 150$ outlet to the side outlet with 4pcs 4×8 screws. Once completed, simply insert the assembly into the exhaust pipe.



OPERATION



Digital display

Speed display:

- "0": Stop
- "1": Low speed
- "2": Medium speed
- "3": High speed
- "4": Booster speed



Left spot

Close touch button: In case the remote control is not working, user can touch the button to turn off the cooker hood.



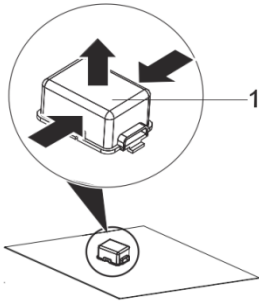
Right spot

Infrared Remote Control Receiver Point

Remote Control:

	ON/OFF
	Light
	5 min delay shutdown function
	Increase the speeds
	Decrease the speeds

Potential free relay

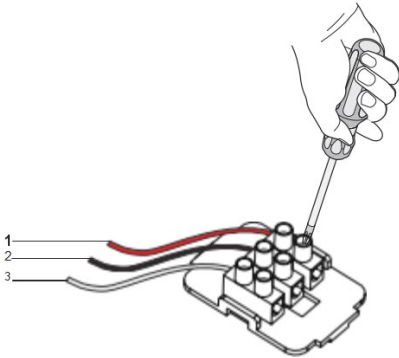


Potential-free relay

Your hood is equipped with a potential-free relay that can be connected to an external device(eg decentralized / recyclable) .

The relay can be found inside the hood or on top of the hood next to the trigger, depending on the model. To make the connection, the following should be followed:

Fig. 1



- 1-Red-NC
- 2-Black-COM
- 3-White-NO

1. Red-NC: Normally Closed - Normally closed
2. Black-COM: Common - Common connection
3. White-NO: Normally Open - Normally open

Connection Methods:

1. NC/COM: When these two connections are used and the hood is switched off, then will the hood give the connected device a constant signal.(Fig.2)
2. NO/COM: When these two connections are used and the hood is switched on, then will the hood give the connected device a constant signal.(Fig.2)

MAINTENANCE

Attention!

Before cleaning switch the unit off and pull out the plug.

I. Regular Cleaning

Use a soft cloth moistened with hand-warm mildly soapy water or household cleaning detergent. Never use metal pads, chemical, abrasive material or stiff brush to clean the unit.

II. Monthly Cleaning for Grease Filter

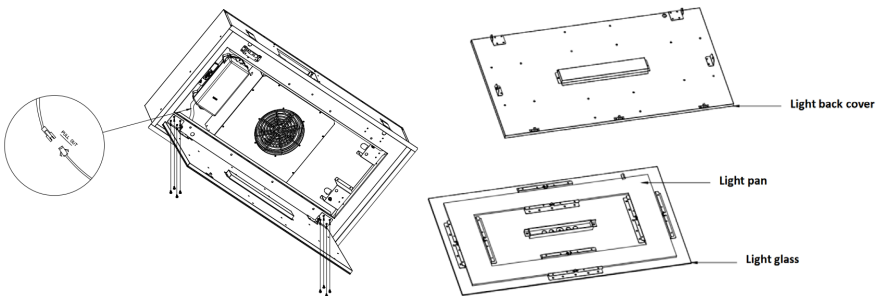
ESSENTIAL: Clean the filter every month can prevent any risk of fire.

The filter collects grease, smoke and dust, so the filter is directly affecting the efficiency of the cooker hood.

If not cleaned, the grease residue (potentially flammable) will saturate on the filter. Clean it with household cleaning detergent.

III. LED Replacement

1. Loosen the terminal block of the light cord and the eight screws at the hinge, then remove the entire light panel.
2. Unscrewing the 20 screws on the back side.
3. Remove the back cover of the light panel to replace the light-emitting panel installed on the light panel glass.
4. Replace with the same type and rated LED light pan.



Attention!

LED light is suggested to be replaced by qualified professionals.

TROUBLESHOOTING

Fault	Cause	Solution
Light on, but fan does not work	The fan blade is jammed.	Switch of the unit and repair by qualified service personnel only.
	The motor is damaged.	
Both light and fan do not work	light burn.	Replace the bulb with correct rating.
	Power cord looses.	Plug in to the power supply again.
Serious Vibration of the unit	The fan blade is damaged.	Switch of the unit and repair by qualified service personnel only.
	The fan motor is not fixed tightly.	Switch of the unit and repair by qualified service personnel only.
	The unit is not hung properly on the bracket.	Take down the unit and check whether the bracket is in proper location.
Machine body vibrates	Machine body is not hung securely.	Fasten the machine body

ENVIRONMENTAL PROTECTION

Waste electrical products should not be disposed of with household waste. Please recycle where facilities exist. Check with your Local Authority or retailer for recycling advice.



This appliance is marked according to the European directive 2012/19/EU on Waste Electrical and Electronic Equipment (WEEE).

By ensuring this product is disposed of correctly, you will help prevent potential negative consequences for the environment and human health, which could otherwise be caused by inappropriate waste handling of this product.

The symbol on the product indicates that this product may not be treated as household waste. Instead it shall be handed over to the applicable collection point for the recycling of electrical and electronic equipment

Disposal must be carried out in accordance with local environmental regulations for waste disposal.

For more detailed information about treatment, recovery and recycling of this product, please contact your local city office, your household waste disposal service or the shop where you purchased the product.

