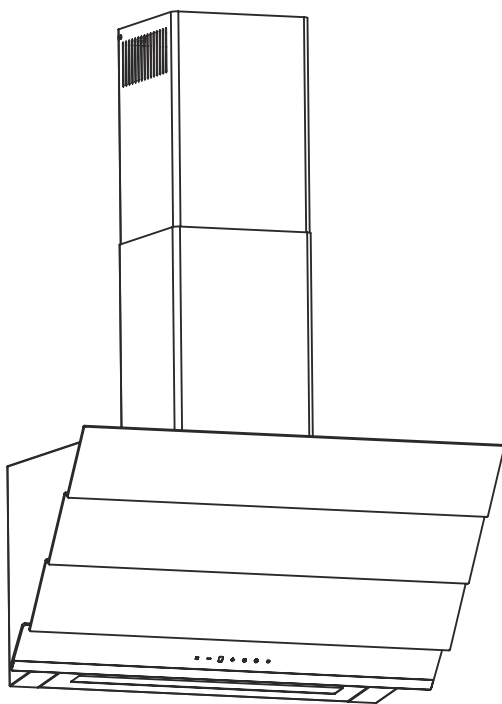


Assembly instructions

HOOD USER GUIDE
ENGLISH



SILVERLINE

MANUFACTURER

Merzifon OSB AMASYA, Silverline

IMPORTER

Jilmas Group Nordic ApS Eli Christensens Vej 90, 7430 Ikast Denmark

Telephone: +45 70104014

Fax: +45 70131389

Internet: www.silverline.com

Internet: www.silverline.dk

1, en_US

Table of contents

1	Technical Drawing	4
2	WARNING AND SAFETY PRECAUTIONS	5
	2.1 LETHAL RISK, DANGER OF POISONING.....	7
3	USAGE WITH AND WITHOUT CARBON FILTER	11
4	CARBON FILTER REPLACEMENT	12
5	CLEANING AND PREVENTIVE MAINTENANCE	13
	5.1 ALUMINIUM FILTER CLEANING.....	14
	5.2 Washing in Dishwasher.....	14
	5.3 Hand Wash.....	14
6	APPLIANCE POSITION	15
7	CLEANING AND PREVENTIVE MAINTENANCE	17
	7.1 Installation / Assembly.....	17
	7.2 Air Filtering Options.....	17
8	CONTENT OF PACKAGE	18
9	OVERVIEW OF hood	19
10	Installation	20
11	Installation of washable carbon filter	23
12	ASSEMBLY OF SHEET METAL FLUES	24
13	WALL EXIT	25
14	USE OF PRODUCT	26
	14.1 Remote controller.....	27
15	REPLACING THE LAMPS	30
16	AUTHORIZED SERVICE	31
17	TECHNICAL TABLE	33

1 Technical Drawing

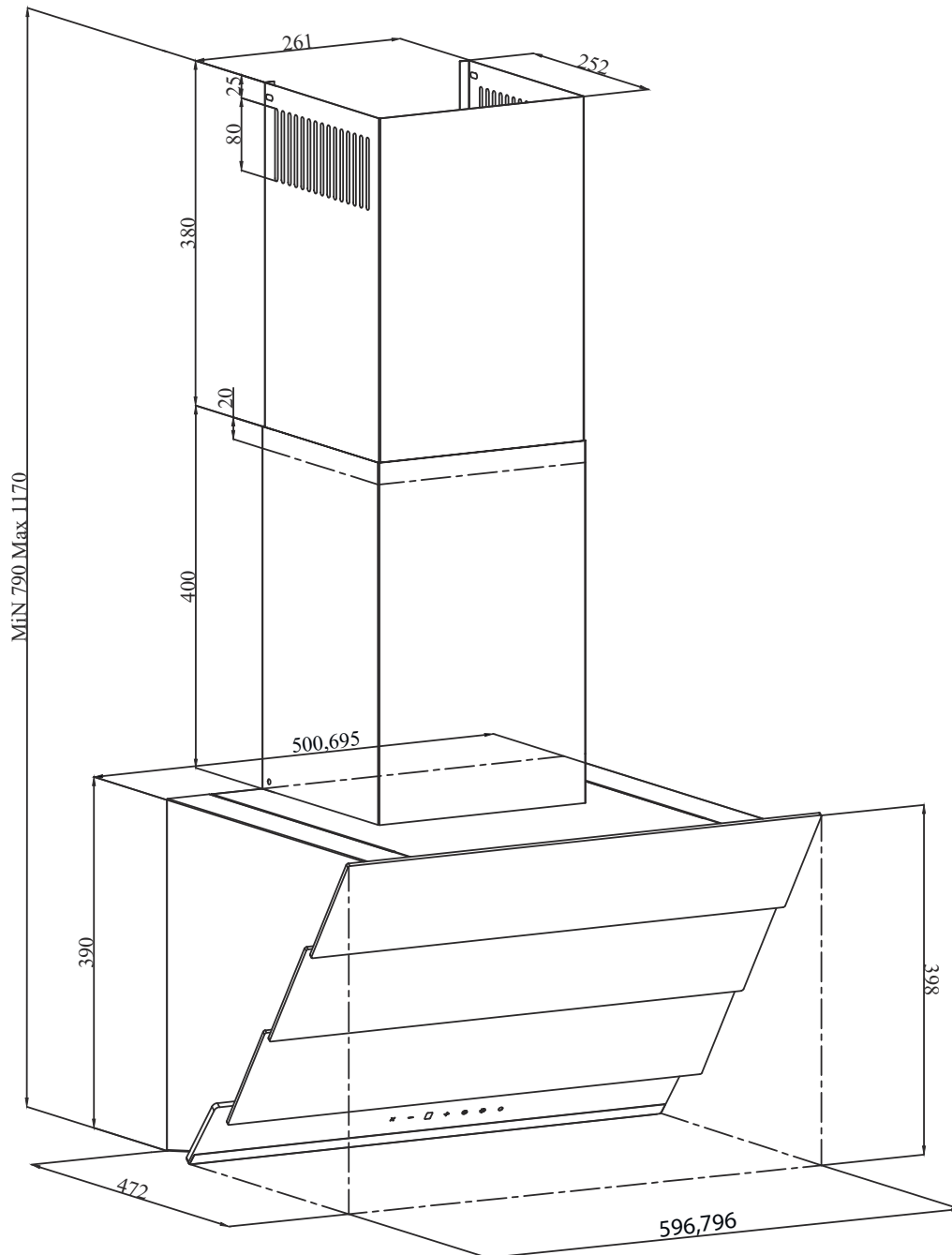


Fig. 1

2 WARNING AND SAFETY PRECAUTIONS

WARNING AND SAFETY PRECAUTIONS

- This appliance can be used by children of 8 years and older, people with physical, sensory or mental capability deficiency or people with lack of experience or knowledge; as long as they are provided supervision or instructions for the safe use of the appliance and they comprehend the dangers.
- Children should not tamper with the appliance. Cleaning and user maintenance operations must not be performed by children unless supervised.
- This product is designed for home use.
- Usage voltage of your product is 220-240 Volt~50-60 Hz.
- Power cord of your product is fitted with a grounded plug. This cord must be plugged into a grounded outlet.
- The whole electrical wiring must be installed by a qualified electrician.
- Installation by unauthorized persons could lead to poor operation performance, damage to the product, and accidents.
- Feeder cable of the appliance mustn't be exposed to jamming or crashing during assembly. Feeder cable mustn't be placed near the cooker. In such cases, it might melt down and lead to fire.
- Do not plug in the appliance before the installation.
- Make sure that the installation place allows the user to easily unplug the power cable in case of any danger.
- Do not touch your product's lamps when they work for a long time. The lamps may burn your hand as they will be hot.
- Kitchen hoods are manufactured for household use in normal home cooking. There is a risk of malfunction in other types of use, and the product guarantee will be void.
- Comply with the rules and instructions regarding discharge of outgoing air, stipulated by the relevant authorities. (This warning does not apply to uses without flue.)
- Flammable foods must not be cooked under the appliance.
- Start your product after you place pot, pan etc. on the stoves. Otherwise, high temperature may cause some parts of your products to deform.
- Turn off the cooker's burner before taking the saucepan, pan, etc. off the cooker.
- Do not leave boiling oil on the stove. Pots that contain boiling oil may catch fire by itself.
- Since oils could catch fire when you cook fried foods in particular, be careful about your curtains and tablecloths.
- Ensure timely replacement of the filters. Filters not replaced in a timely manner pose risk of fire due to accumulated grease deposits on them.
- Do not use non-fire-resistant filtering materials instead of the filter.
- Do not operate your product without filter, and do not remove the filters when the product is in operation.
- In case of any fire, de-energize the hood and any other cooking devices. (Plug off the appliance or turn off the main switch.)

- If your product's periodic cleaning is not made in a timely manner, it could pose risk of fire.
- De-energize the appliance before any maintenance operations. (Plug off the appliance or turn off the main switch.)
- When electric cooker hood and devices fed with energies other than electricity operate simultaneously, the negative pressure in the room must not exceed 4 Pa (4 X 10 bar).
- Gas or fuel oil burning appliances, such as room heaters, which share the same environment with your product, must be fully insulated from the exhaust of this product or they must be hermetical.
- When you make a flue connection for your product, use pipes with a diameter of 150mm or 120 mm. The length of the duct connection as well as the number of elbows must be as minimum as possible.
- Children must not play with the appliance.
- For your safety, use "MAX 6 A" fuse in the hood system.
- Since the packing materials could be dangerous, keep them away from children.
- If the feeder cable is damaged, it must be replaced by its manufacturer or its authorized technical service or any other personnel qualified at the same level, in order to avoid any dangerous situation.
- In case of any deflagration, de-energize the cooker hood and cooking appliances, and cover the flame. Never use water to extinguish the fire.
- When cooking appliances are in operation, their accessible parts could be hot.
- This appliance is not intended to be used by people with physical, sensory and mental disabilities (including children) or those who do not have adequate experience and knowledge regarding its use, unless they are under the supervision of a person responsible for the safety of the appliance.
- Output of the hood must not be connected to air ducts, where smoke from other sources could exist.
- You must be careful when using the appliance spontaneously with other appliances (e.g. gas, diesel fuels, coal, wood, etc. burning heaters, shower heaters), which use the same air in the same environment. Attention must be paid when using them simultaneously. It is because the hood could adversely affect the combustion, by discharging the ambient air.
- This warning does not apply to uses without flue.
- When electric cooker hood is used simultaneously with devices that use gas or other fuels, there must be sufficient ventilation in the room (might not apply to devices that discharges the air back into the room).

2.1 LETHAL RISK, DANGER OF POISONING



DANGER!

Warning - Choking Hazard

The packaging materials are dangerous for children. Never allow children to play with packaging materials.



DANGER!

Warning - Death Hazard

There are life-threatening danger and poisoning danger due to reabsorbed combustion gases. During the air discharge outlet use, unless sufficient air supply is provided, do not use the appliance simultaneously with devices that discharge toxic gases through flue such as ventilated, gas, oil, wood or coal burning heaters, shower heaters, water heaters, etc. Fig. 2

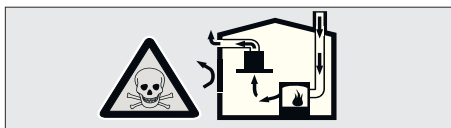


Fig. 2: Poisoning Danger

Ventilated goods (e.g. gas, oil, wood or coal burning heaters, shower heaters, water heaters) take combustion air from the installation location, and discharge the waste gas through a waste gas system (e.g. flue). When the cooker hood is active, it absorbs air from the kitchen and neighbouring rooms. If adequate air entry is not provided, vacuum emerges. In such a case, the toxic gases are absorbed from the flue and waste gas channel, and are taken into the room again. Fig. 2

- Therefore, adequate fresh air ingress must always be ensured. Fig. 3

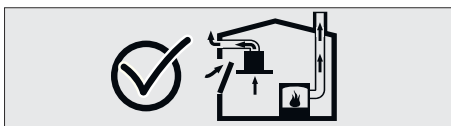


Fig. 3

**WARNING!****Fire danger!**

- The oil residue in the grease filter may catch fire. **Clean the grease filter at least once every 3 months.** Never operate the device without the grease filter .
- The oil residue in the grease filter may catch fire. Never work with open flame (ex. flambe) near the device. The apparatus is allowed to be installed near a solid fuel (e.g. wood or coal) heater only if it has a non-removable cover. No sparks should be scattered.
- Hot oils and fats catch fire easily. Hot oils and fats should never be left unattended. Never try to put out fire with water. Turn off the cooker. Kill the flames carefully using a cover, fire blanket or a similar material.
- Gas operated cookers that do not have a cooking pot on create high heat during operation. A ventilation device placed over the cookers can be damaged or burned for this reason. Operate gas cookers only when there is a cooking pot on them.
- Operating multiple gas cookers simultaneously creates high heat. A ventilation device placed over the cookers can be damaged or burned for this reason. Never operate two gas cookers longer than 15 minutes on high flame setting. A large burner over 5kW (Wok) has the power of two gas burners.

**WARNING!****Electrocution hazard!**

- A malfunctioning device may cause electric shock. Never turn on a malfunctioning device. Pull the power plug and switch off the circuit breaker. Call customer service.
- Unsuitable repairs pose hazards. Repairs and replacement of damaged power cords must be performed only by a customer services technician trained by us. If the device is malfunctioning pull the power plug and switch off the circuit breaker. Call customer service.
- Water leaking into the device may cause electric shock. High pressure or steam cleaners must not be used.

**DANGER!****Danger of physical injury!**

- During the installation, there is a danger of physical injury due to the sharp edges. Use protective gloves throughout the installation process of the appliance.
- Due to risk of dropping the appliance, assembly of all safety bolts and covers must be performed as specified in the user manual.
- Objects placed on the appliance may fall over. Do not place any objects on the device.
- LED lights are very bright and may damage eyes (Risk group 1). You must not look directly at running LED lights for longer than 100 seconds.

**WARNING!****Risk of burn, risk of electric shock!**

- Allow the appliance to cool before cleaning or maintenance process. Switch off the fuse or pull out the mains plug from the socket.
- There is risk of damage due to ingress of moisture in the electronics. Do not clean the control components with a wet cloth.
- The surface could be damaged due to a wrong cleaning process. Clean stainless steel surfaces only in their brushing direction. Do not use a stainless steel cleaner for the control elements.
- The surface could be damaged due to aggressive and abrasive cleaning agents. Never use aggressive and abrasive cleaning agents.

**WARNING!****Dangers of fire and physical injury!**

In case of repairing that is not performed according to the rules or as required, turn off the fuse or unplug the feeder cable of your appliance. Repairing must be performed only by the authorized technical service or authorized experts.

**NOTICE!**

If the appliance is faulty or damaged, turn off the fuse or unplug the feeder cable of your appliance and call the authorized service.

**NOTICE!**

If the feeder cable is damaged, it must be replaced by its manufacturer or its authorized technical service or any other personnel qualified at the same level, in order to avoid any dangerous situation.

**NOTICE!**

When the bulbs of the device malfunction, switch off the circuit breaker and unplug the device's power plug from the socket. Replace the defective bulbs immediately (leave bulbs to cool down first), in order to protect the remaining bulbs against overloading.

**CAUTION!**

Accessible components might be heated when used with cooking devices.

**DANGER!**

Air outlet pipe of this appliance mustn't be connected in the flue used to discharge the fume generated by devices that use gas or other fuels.

Damage reasons**CAUTION!**

Damage hazard due to corrosion. Always run the appliance to prevent condensate formation while cooking. Condensates may cause corrosion damage. Replace the malfunctioning lamp right away to prevent overloading of other lamps. Moisture intrusion in electronic parts poses a risk of damage. Never clean the control elements with a wet cloth. The surface could be damaged due to a wrong cleaning process. Clean stainless steel surfaces only in their brushing direction. Do not use a stainless steel cleaner for the control elements. The surface could be damaged due to aggressive and abrasive cleaning agents. Never use aggressive and abrasive cleaning agents. There is a risk of damage due to condensate liquid backflow. Install the air exit canal with a small downward inclination (1° inclination) from the appliance.

3 USAGE WITH AND WITHOUT CARBON FILTER



You can use this appliance in exhaust air mode and ventilated air mode.

Exhaust air mode

The absorbed air is cleaned by the grease filters, and is discharged through a piping system. Fig. 4

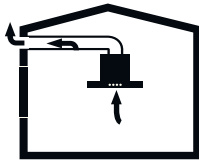


Fig. 4: Air Outlet without Carbon Filter



NOTICE!

Exhaust air must not be transferred to an active smoke or waste gas flue; or a flue used for ventilation of the places, where heat sources are installed.

- If you want to transfer exhaust air to an inactive smoke or waste gas flue, you need to obtain permission from an authorized chimney sweep.
- If exhaust air is discharged through the external wall, a telescopic wall safe must be used.

Ventilated air mode



Absorbed air is cleaned by the grease filters and an active carbon filter, and then it is transferred back to the kitchen. Fig. 5



Fig. 5: Air Circulation with Carbon Filter



You need to install an active carbon filter, in order to catch the substances, which cause stink in the circulating air. Consult your authorized dealer to know the different opportunities available for enabling the appliance to function in circulating air mode. You can buy the accessories required for this process from the relevant outlets, authorized technical service or online sales center.

4 CARBON FILTER REPLACEMENT



DANGER!

Disconnect the power to the product

Dismantle the flues.

1- Screws with plastic head

- Remove the 3 screws with plastic heads to disassemble the top plate of the carbon filter housing (Fig. 6).

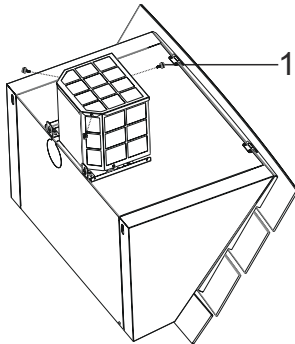


Fig. 6

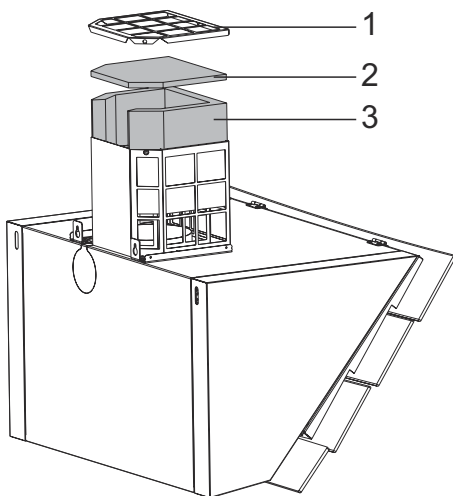


Fig. 7

- 1- Ball filter cabinet topped
- 2- Carbon filter top cushion
- 3- Carbon filter side cushion

- Remove the top cover of the carbon filter housing to access the washable carbon filter pads (Fig. 7).
- Now take out the washable carbon filter pads (Fig. 7).
- The carbon filter pad can be washed by hand in warm water or washed in the dishwasher at 55 °C (do not use any detergents) .
- The carbon filter pads should be washed every 3-4 months after regular use. The carbon filter pads can be washed up to 3 times in total.
- After washing the carbon filter pads, dry them in the oven for 40 min. at 80 °C

Installation of carbon filter pads

- Follow the above steps from behind to install the carbon filter pads.

5 CLEANING AND PREVENTIVE MAINTENANCE

**CAUTION!**

Cleaning and user maintenance of the appliance shall not be performed by unattended children.

- The surface could be damaged due to aggressive and abrasive cleaning agents. Never use aggressive and abrasive cleaning agents. Procure your cleaning and protective substances that are appropriate for your appliance from the authorized technical service. Surface of appliance and control units are sensitive to scratching.
- Clean the surfaces with a soft and damp cloth, dish-washing liquid or mild glass cleaning agent. Soften the dry, sticky dirt with a damp cloth. Do not scrape!
- It is not appropriate to use dry cloths, sponges that may scratch, materials that require rubbing, and other aggressive cleaning agents containing sand, soda, acid or chlorine.
- Clean the stainless steel surfaces in their brushing direction only.
- Do not use stainless steel cleaning agents and wet clothes for control units. Cleaning of metal grease filters Used metal grease filters retain the greasy particles in the moisture and vapour generated in the kitchen. Clean the metal grease filters about every three months, under normal use conditions (1 to 2 hours a day).
- Do not use excessively effective, acidic or alkaline cleaning agents.
- For cleaning the metal grease filters, clean the holder parts of the metal grease filters in the appliance, with a damp cloth as well.
- You can clean the metal grease filters in the dishwasher or by hand.
- Do not apply spray cleaning supplies directly to the product.
- Do not keep flammable and/or heavy decorative items on the product.

5.1 ALUMINIUM FILTER CLEANING

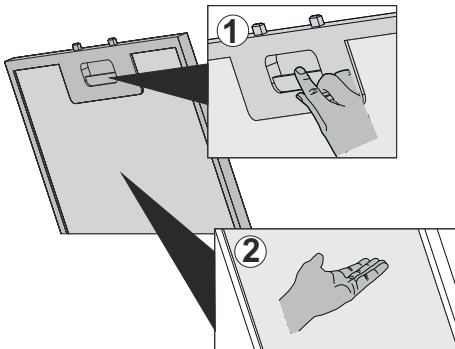


Fig. 8



Clean the aluminum grease filters periodically every 3 months.

- Press the aluminum filter tab (1) and pull the aluminum filter to the direction of the arrow (Fig. 8 /1).
- As you remove the aluminum filter, hold it with your other hand to prevent it from dropping (Fig. 8/2).
- As you remove the aluminum filter, in order to prevent the accumulated oil to drip, keep the filter surface parallel to the floor.

5.2 Washing in Dishwasher

In case of washing in dishwasher, a slight change might occur in colour. This has no effect on the function of the metal grease filter.

- Do not clean too dirty metal grease filters together with utensils in the dishwasher.
- Place the metal grease filters loosely and freely in the dishwasher. Metal grease filters must be placed in the dishwasher without jamming.

5.3 Hand Wash



For stubborn dirt, you can use a special grease solvent. You can buy such an agent from the authorized sales centre.

- *Soften the metal grease filters in a hot water with dish-washing liquid.*
- *Use a brush for cleaning and wait for the liquid in metal grease filters to flow off completely.*
- *Rinse the filters thoroughly after cleaning.*

6 APPLIANCE POSITION

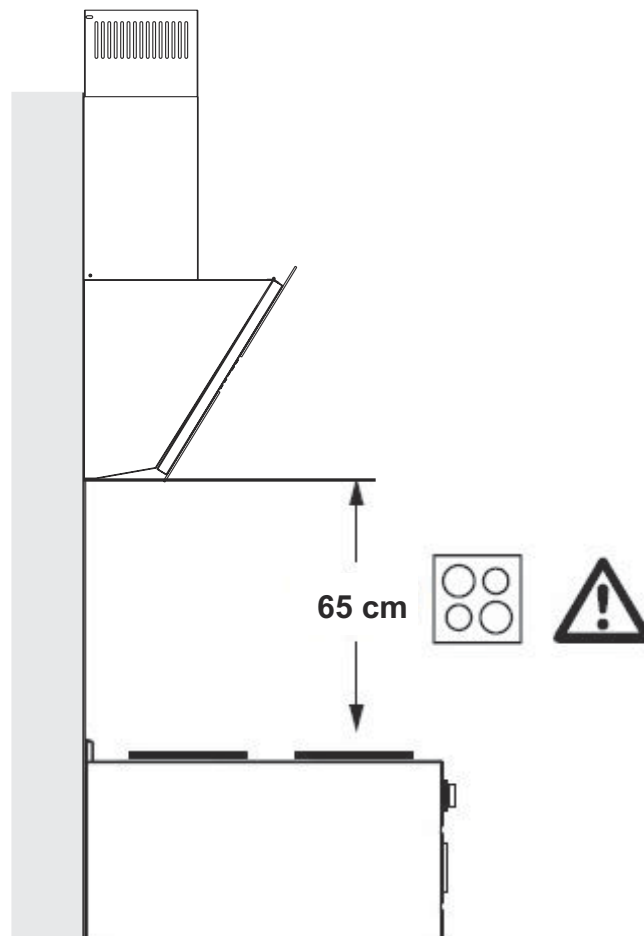


Fig. 9

Make sure the hood is at the correct height above the hob.

For gas hobs at least 65 cm, for electric hobs local regulations apply (Fig. 9).

Dowels

Different materials require different dowels and screws. Use dowels and screws suitable for the material in which the hood is to be mounted.

Vent

We recommend using as large a venting as possible (maximum diameter of the hood vent, e.g. Ø150mm). This applies all the way in the vent connection. If the roof cap or the hole in the wall/ceiling has a shrinkage you will experience pressure loss which will cause more noise and less suction.

We recommend the use of a fixed venting (pvc in flat or round) or sound, heat & fire insulated aluminum vent (see possibly under accessories on www.silverline.dk). Avoid unnecessary distance from start to end point, avoid kinks in the vent duct if possible. If you choose a fixed venting, remember to insulate the vent in terms of sound and heat.

We recommend using a silencer (see accessories at www.silverline.dk) at the motor (either at the hood or the external motor) to reduce the noise of the motor.

If the vent duct has a horizontal slope, we recommend the use of a condensate collector (see accessories at www.silverline.dk) to prevent condensation from flowing back into the vent duct.

Use wall ducting with automated shut-off damper if the vent duct goes out through the wall (see accessories at www.silverline.dk). If the venting goes out through the wall, but there is an external wall motor mounted, then you can use a thermal damper (see possibly under accessories at www.silverline.dk). Thermal dampers can also be used with other mounting methods. By doing the above, you avoid penetrating cold and wind from outside, thus saving on electricity bills and avoiding (completely or partially) the formation of condensation.

Insulation & Mounting External Motor (Optional)

It is extremely important that the external ceiling/skunk motor be heat insulated in rooms that are not heated. The motor draws heat from below the kitchen and if the motor is too cold condensation will form, this can damage both the hood and the motor where the warranty may be void. The external motor can be rolled in insulation and lie on this. It does not require to be mounted, however that it lies soft and is insulated. Mounting the motor directly on a hard surface can cause vibration and resonance.

7 CLEANING AND PREVENTIVE MAINTENANCE

7.1 Installation / Assembly

- Check that your appliance is not deformed.
- Report any transport issues immediately to transport operator.
- Any faults encountered shall be reported to the dealer, too.
- Do not allow children to play with the packaging materials!

7.2 Air Filtering Optionas

- Replace the carbon filters on a regular basis.
- Regularly clean your aluminium filters. Since dirty filters would block the air passage, you might have to use the appliance at a higher speed.
- Use your product according to its normal speeds.
- Use at higher speed would cause an increase in the energy consumption.

8 CONTENT OF PACKAGE

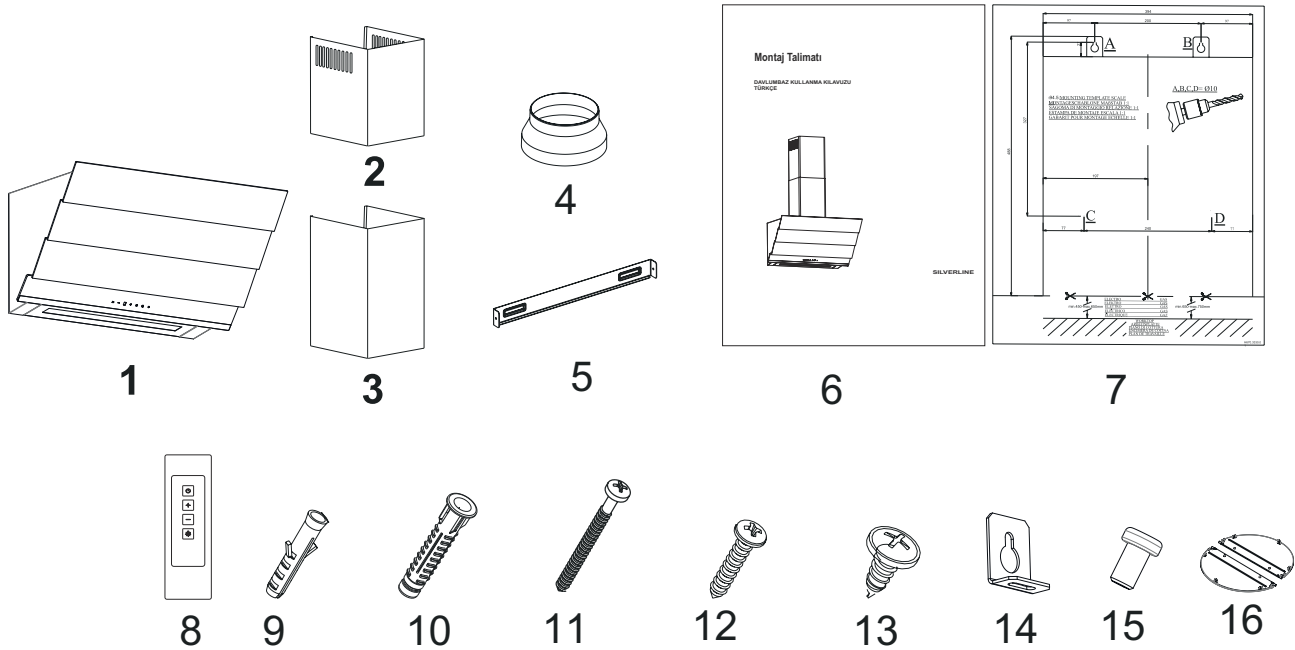


Fig. 10

- | | |
|--------------------------------|--|
| 1- Product | 9- Ø6mm Plastic Dowel |
| 2- Inner Flue | 10- Ø10mm Plastic Dowel |
| 3- Outer Flue | 11- 5.5x60 Wall Hanger Screw |
| 4- 150mm Flue Adapter (option) | 12- 3.9x22 Flue Connection Plate Screw |
| 5- Flue Connection Plate | 13- 3.5x9.5 Flue Connection Screw |
| 6- User Manual | 14- Hanger Plate |
| 7- Installation Template | 15- M5x8 CPH Screw |
| 8- Remote Control (option) | 16- Flue Flap Option) |

9 OVERVIEW OF hood

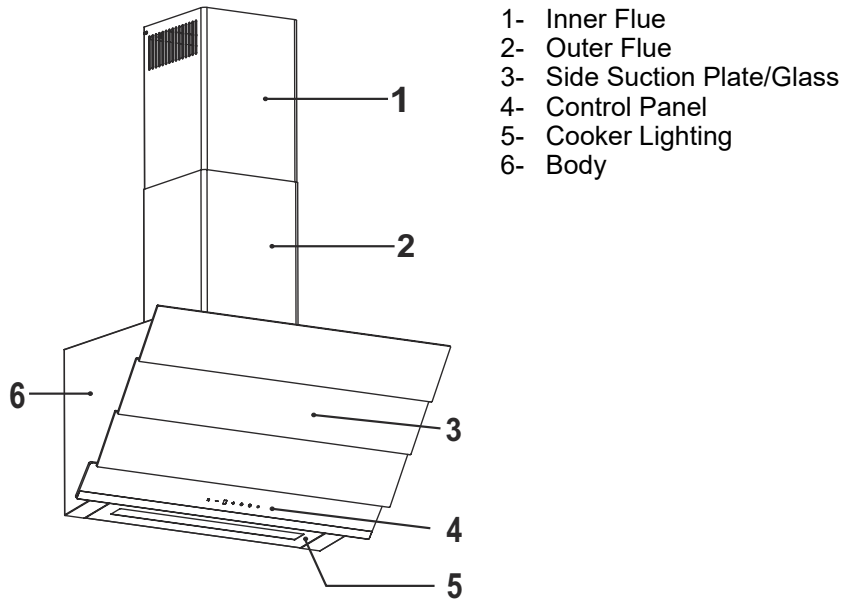


Fig. 11

10 Installation

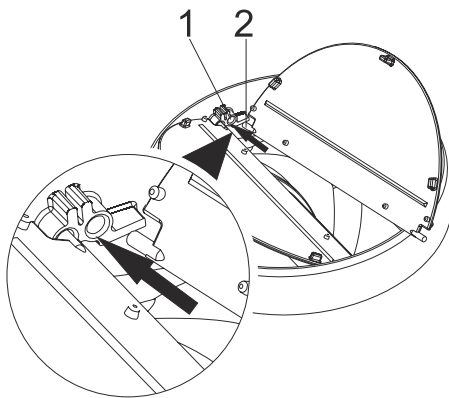


Fig. 12

- 1- Flap Pin Socket
- 2- Flap Pin

The device mounting accessories include two hood flaps. Attach these flue flaps to the motor exhaust as seen below.

- Insert the plastic pin (area no.2) on the pin socket on the motor exhaust (area no.1). Fig. 12. Then bend the flap lightly to insert the other pin on the flap and insert the other pin to its socket (Fig. 12).

Checking the Wall

- The wall must be flat, upright and have sufficient bearing capacity.
- The depth of the drill holes must match the length of the bolt.
- The attached bolts and dowels are suitable for use in brick walls. For other constructions (e.g. plaster, slabs, porous concrete, etc.) use suitable fixing dowels and bolts.

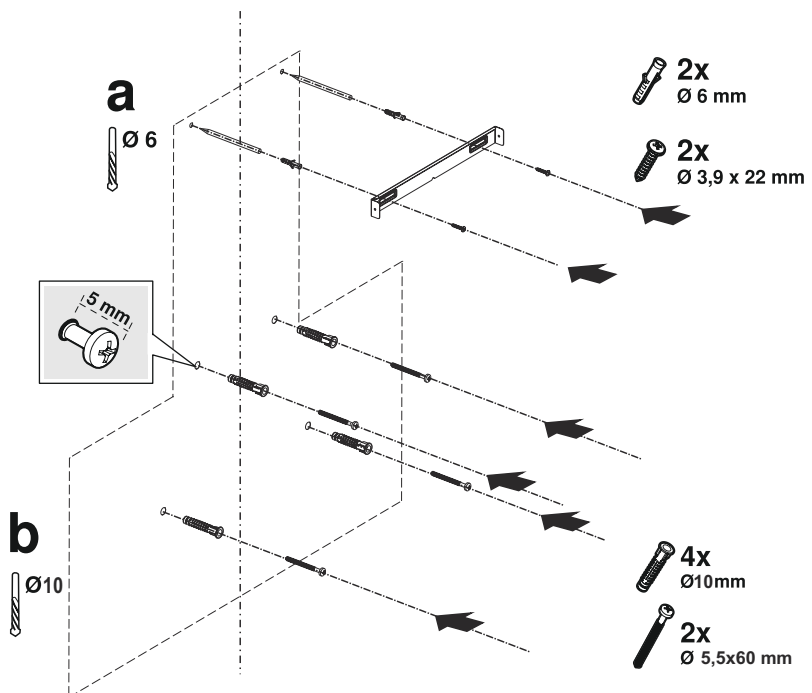


Fig. 13



DANGER!

Before drilling into the wall, make sure that no electricity, gas or water pipes run around the points you plan to drill.

1. ➤ Draw a center position line perpendicular to the wall from the ceiling to the lower edge of the hood (Fig. 13).
2. ➤ There is a notch in the center of the flue connection sheet. Place the center point of this notch on the chimney connection plate on the line you have drawn perpendicular to the wall. Align horizontally and mark the holes for mounting the flue connection sheet with a pencil (Fig. 13/a).

Drill the points you have marked with a Ø6mm drill and drive 2 Ø6mm plastic dowels into these holes (Fig. 13/a).

Fix the flue connection sheet to the wall with 3.9x22 screws (Fig. 13/a).

3. ➤ To drill the mounting holes for the hood, attach the mounting template to the surface on which the appliance is to be mounted and mark the mounting holes (Fig. 13/b).
4. ➤ Drill the hanger holes with Ø8mm drill and drive the dowels (Fig. 13/b).

Screw 2 4.8x50 hanger screws so that there is a 5 mm gap between the screw head and the wall (Fig. 13/b).

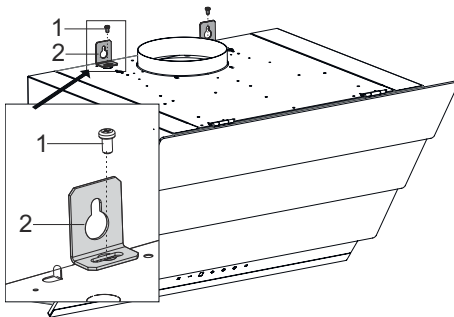


Fig. 14:

- 1- M5x8 CPH Screw
- 2- Hanger Plate

Attach the two hanger plates included in the package to the body with M5x8 screws (Fig. 14).

Device Preparation

- Open the filter cover.
- Open the metal oil filter.
- If the air discharge pipe diameter is smaller than 150 mm, install the Ø150/120 mm flue adapter.

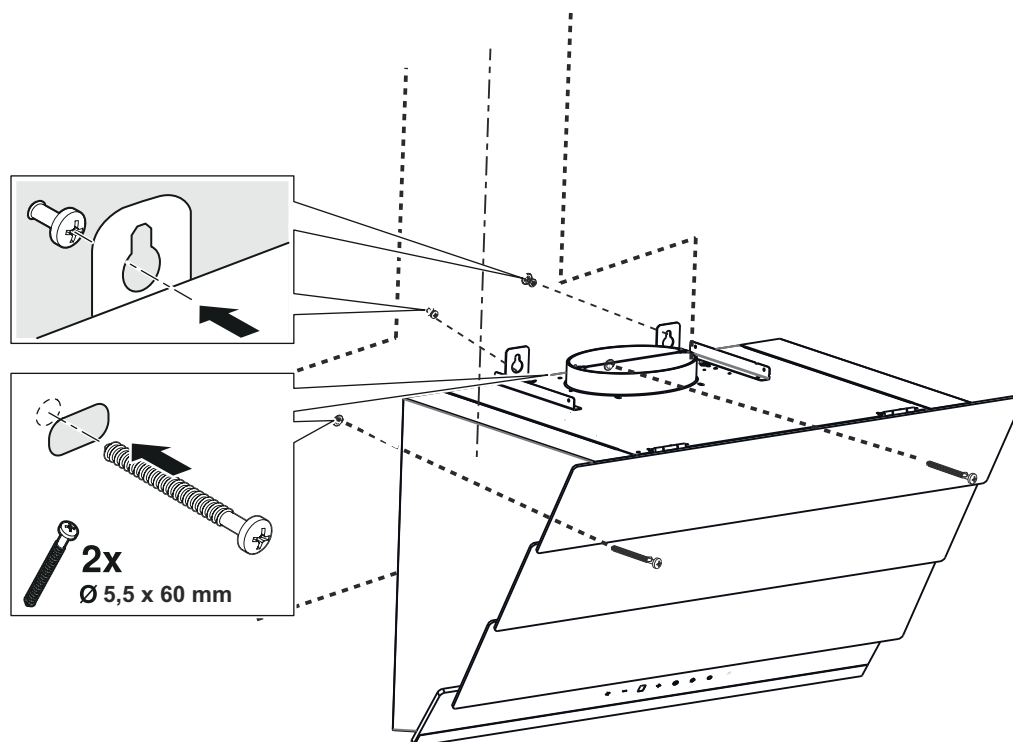


Fig. 15

1. Hold the device by its body and attach it to the hanger screws that you have previously screwed into the wall and tighten the hanger screws (Fig. 15).
2. Fix the device to the wall with two 5.5x60 screws through the mounting hole on the inside of the device (Fig. 15).
3. Install the aluminum grease filter of the device.
If the device will be used without carbon filter, install the air outlet pipe.

11 Installation of washable carbon filter

CARBON4 INSTALLATION AND USE

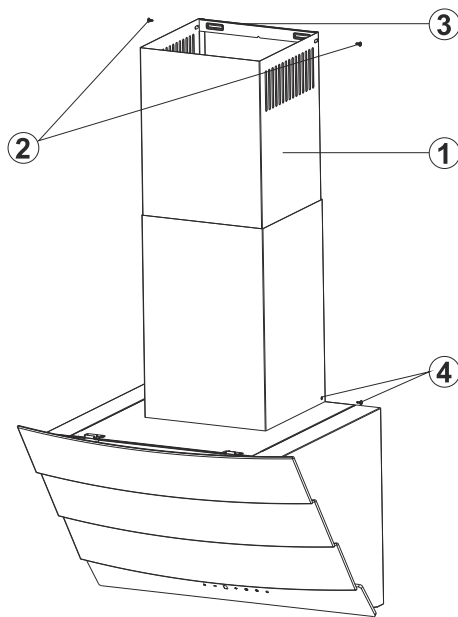


DANGER!

Disconnect power to the product.

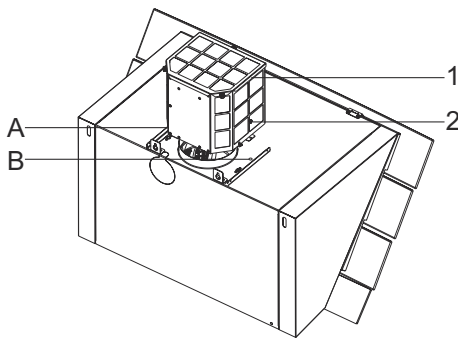
Note if the product is fully fitted, the chimney must be removed to fit the carbon filter.

Follow the instructions for installing the carbon filter;



- The inner flue (No. 1) must be removed by unscrewing the screws (No. 2) (Fig. 16). Then the interior chimney can be slid into the exterior flue.
- The external flue can be removed by unscrewing the screws (no. 4) (Fig. 16). Now remove both flues.

Fig. 16

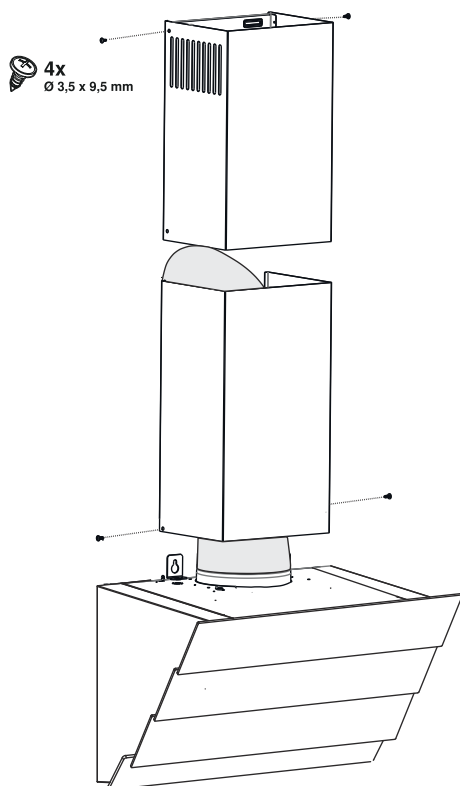


- 1- Carbon filter cabinet
- 2- 3,5x9,5 screw

- The carbon filter housing must be fixed with 2 pcs. 3,5x9,5 screws on a+b (Fig. 17).
- Now fit the flues to the points (Fig. 16).

Fig. 17

12 ASSEMBLY OF SHEET METAL FLUES



Installing the Air Outlet Connection

- Fix one end of the air outlet pipe directly to the air outlet area.
- Fix the other end of the air outlet pipe to the air outlet on the product.
- Insulate the connection points properly.

Installation of Sheet Metal Flues

- If there is protective foil on the flues, pull it off.
- Pull the upper flue upwards and screw it to the flue connection plate on the right and end side.
- Screw the lower flue to the body from the right and left side.

Fig. 18

13 WALL EXIT

Vent through wall

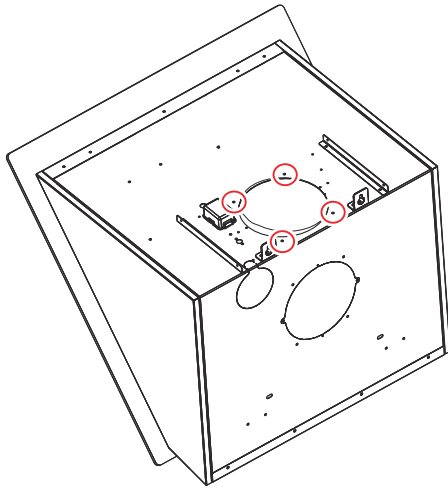


Fig. 19: Loosen the motor's screws

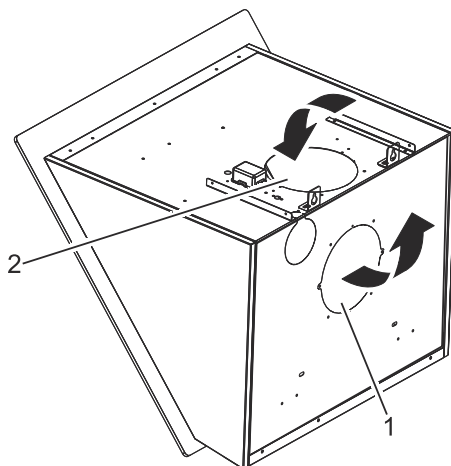


Fig. 20: Rotate the motor.

The motor in the hood can be rotated 90 degrees, so that the vent can be run out between the walls, follow below:

1. ➔ Loosen the motor's screws (/).

2. ➔ Press or tap carefully on the precut back plate to knock it out. (/1).
3. ➔ Rotate the motor and set it in the open hole behind.
 - ⇒ Now screw the 4 screws to permanently mount the motor.
4. ➔ Use the tapped plate to close the hole at the top, with the accompanying 2 screws (/2).



Contact us for questions (/).

14 USE OF PRODUCT

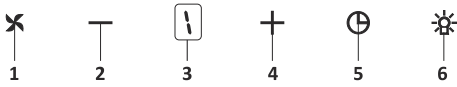


Fig. 21: 5 Spd Dig Button

1. Press this button to turn on the product.Fig. 21
2. Press this button to decrease the motor speed.Fig. 21
3. Dig display You can follow which speed the product is currently working on this display.Fig. 21
4. Press this button to increase the motor speed.Fig. 21
5. When timer button is pressed, a 15-minute timer function will be activated; display will give a signal once the timer starts and the motor will stop automatically after 15 minutes.Fig. 21
6. Press this button to turn on and off the lamp.Fig. 21

Cleaning Periods for Metal Filters

Filters should be cleaned when "C" signal appears on the Display or (due to usage) every 2 or 3 weeks. To delete "C" signal after the filters are cleaned and replaced, press and hold (X) button more than 3 secs (when device is off). Letter "E" will appear on the Display and it will switch to normal operation. If operation before deleting the "C" signal is required, active motor speed will appear for 1 sec when you press (X) button and then the motor will resume running.

Setup and user configuration of "Silverline Hi"

With the "Silverline Hi" application you can now control your hood with your phone or tablet.

Scan the first QR code on your product to download the "Silverline Hi" application via the App Store or Play Store.

Once you have downloaded the application, you will need to create a user account to log in.

Add your product

Once logged into the application, click on "+ add device". Now scan the second QR code that you find on your product.

This QR code is very important and must be saved. In case it disappears, there is an extra code in the hood, which is placed behind your grease filters, as a backup.

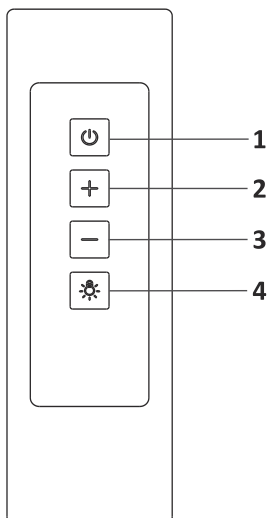
After the QR code scan is completed, the application will now guide you step by step to complete the addition of your product.

**NOTICE!**

In case "Silverline Hi+ Hood" is not visible under WIFI searches.

Make sure the motor is switched off before starting. Press and hold "+" for 5 seconds on your hood, you should now see the indication "H" on your screen. If the indication does not appear, repeat the process. Now you can use the code "silverlinehi" to connect to the "Silverline Hi+ Hood" through your WIFI settings.

14.1 Remote controller



- 1- Device ON/OFF
- 2- Increase Speed
- 3- Decrease Speed
- 4- Lighting ON/OFF

Device on/off button: Activates and deactivates the motor. If this button is pressed while the engine is off, the product starts to operate at the 1st RPM. The engine speed can be increased or decreased by using the + and – buttons. If this button is pressed while the engine is on, the engine is turned off. When the button is pressed for 5 seconds (2nd beep), IOT becomes active/deactivated.



Remote control is sold optionally with the product. The product that you bought may have no remote control option.

Fig. 22

**CAUTION!**

- Use only 1.5 V AA and AAA batteries for remote control.
- The battery supplied with the remote control is not chargeable. Do not try to charge it.
- Different type of batteries or used batteries must not be used.
- The batteries must be inserted in the remote control aligned to correct polarity.
- Depleted batteries must be removed from the remote control and must be safely disposed of.
- If you are not going to use the remote control for a long time, remove the batteries inside.
- The remote control must not come in contact with water or moisture. Otherwise the remote control may short circuit and may be rendered unusable.

Replacing the Battery;

- 1- Battery Slot Cover
- 2- Battery Slot Cover Lock

Remove the battery slot cover towards arrow direction by pressing on the tab (Fig. 23).

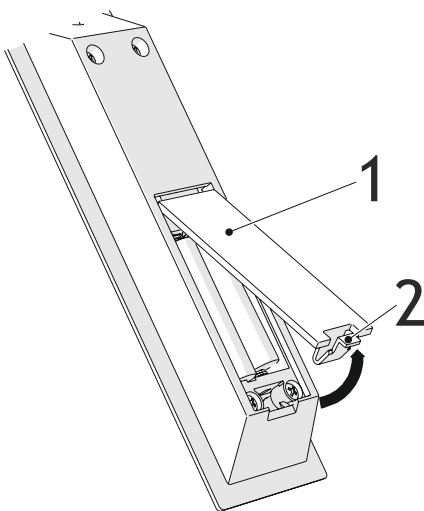


Fig. 23

There are two batteries in your remote control. Pull the batteries by pressing + poles and remove from the battery slot (Fig. 24).

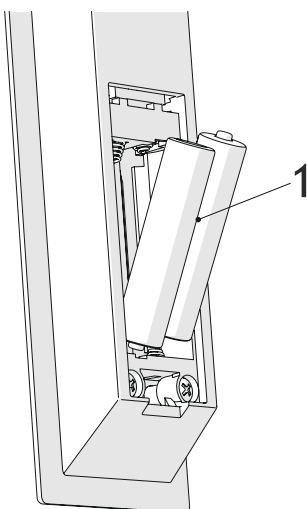


Fig. 24

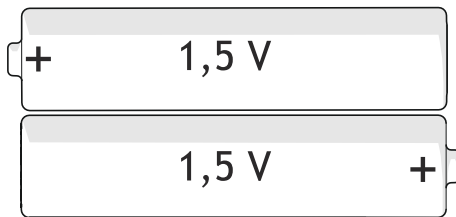


Fig. 25: REMOTE CONTROL BATTERY PLACEMENT

15 REPLACING THE LAMPS



CAUTION!

If the lamp of your device malfunctions, contact the authorized service center or dealer.

Energy Class

F

16 AUTHORIZED SERVICE

If Lighting is Not Functioning:

- Make sure that the plug is plugged in, and that the fuses are intact.
- Check the bulbs. Make sure you unplugged the device before performing this check. Tighten the bulbs if they are loose; you can replace the bulbs if they still don't work.

Possible Faults and Things that You can do Before Calling Technical Service:

A) If the device does not run in any way:

- Check to see if the hood is plugged in or if the plug fits properly into the socket.
- Check the fuse, to which the appliance is connected, as well as the main fuse of your house.

If the device performance is not enough and it creates high noise while running:

- Is the outlet diameter of the appliance's flue adequate? (min. 120 mm).
- Are the metal filters clean? Please check.
- If you use the hood without flue, make sure that the carbon filters are not older than 6 months.
- Be attentive to ventilate your kitchen adequately, in order to provide an airflow. If you are still not satisfied with the performance of the appliance, consult the authorized technical service.

Troubleshooting

Fault description	Cause	Remedy
Product Does Not Work	Check the power connection.	Mains voltage must be 220-240 V, and product must be plugged into a grounded socket.
Illumination lamp does not operate	Check the power connection.	Mains voltage must be 220-240 V, and product must be plugged into a grounded socket.
Illumination lamp does not operate	Check the lamp switch.	Lamp switch must be at "on" position.
Illumination lamp does not operate	Check the bulbs.	Bulbs must be operative.
Product's Air Intake is Weak	Check The Aluminium Filter.	The aluminium cartridge filter should be washed once a month under normal conditions.
Product's Air Intake is Weak	Check The Air Outlet Flue.	Air Outlet Flue Must Be Open.
Product's Air Intake is Weak	Check The Carbon Filter.	In products that work with carbon filters, carbon filter must be replaced once in every 3 months under normal conditions.

Fault description	Cause	Remedy
It Does Not Discharge Air (in flueless use)	Check The Aluminium Filter.	The aluminium cartridge filter should be washed once a month under normal conditions.
It Does Not Discharge Air (in flueless use)	Check The Carbon Filter.	In products that work with carbon filters, carbon filter must be replaced once in every 3 months under normal conditions.

17 TECHNICAL TABLE

Supply Voltage	220-240V~ 50Hz
Insulation Class of Motor	F
Insulation Class	CLASS I



This product complies with the 2014/30/EC (Regulation on Electromagnetic Compliance) and 2014/35/EC (Regulation on Low Voltage Devices (LVD)) Directives.



This device complies with the Directive on the Control of Waste Electrical and Electronic Equipment.

Specifications of the device and this manual may be modified without prior notification.